

# UD1800HD

2008 MODEL YEAR



# TRUCKS

Distributed by

Nissan Diesel America, Inc.

## WHEELBASES

	E	F	H	K	N
GVWR (lb.)	17,995	17,995	17,995	17,995	17,995
Chassis Weight (lb.)	7,100	7,175	7,230	7,285	7,440
Front (lb.)	4,840	4,885	4,915	4,935	5,025
Rear (lb.)	2,260	2,290	2,315	2,350	2,415
Gross Payload (lb.)*	10,895	10,820	10,765	10,710	10,555
Wheelbase (in.)** WB	148.43	166.54	178.35	190.16	216.54
Cab-to-Rear Axle (in.) CA	112.20	130.30	142.10	153.90	180.30
Rear Overhang (in.) RO	63.80	63.80	78.00	83.90	96.90
Overall Length (in.) OL	258.50	276.60	302.60	320.30	359.70
Typical Body Lengths (ft.)***	14/16	16/18	18/20	20/22	22/24
Turning Radius (ft.)	19.70	21.70	23.30	24.60	27.60

\*Gross payload capacity equals GVWR minus chassis weight. Installation of specialized equipment or bodies may require frame reinforcement. \*\*Wheelbase selection should be based on specific weight distribution. \*\*\*Typical body lengths assume water level load (no specific consideration for driver, passengers, or fuel) to maximize GVWR. Addition of ancillary equipment such as lift gates and refrigeration units not considered in calculations.

## ENGINE

MD-230\* 24 Valve  
Turbo/Intercooled Diesel  
In-line 6 cylinder, Direct-injection  
Horsepower 230 hp @ 2,500 rpm  
Torque 506 lb. ft. @ 1,500 rpm  
Displacement 469 in.<sup>3</sup> (7.684 L)  
Cylinder Liner Dry, replaceable  
Air Compressor 14.1 CFM @ 2,600 engine rpm (nominal)  
Fuel System Electronically controlled common rail system  
Air Cleaner 11 in., paper filter type (DONALDSON)  
Cold Starting Aid Automatic electric glow plug  
Fan Viscous type drive

\*MD-230 (J08E-TE) is a vendor engine manufactured for Nissan Diesel Motor Company

## FRONT AXLE

GAWR 7,275 lb.  
Rated Axle Capacity 8,150 lb.  
Axle Type "I" Beam  
Suspension Semi-elliptic leaf springs  
Shock Absorbers Telescopic type



\*UD1800HD shown here with dealer installed optional equipment.

## TRANSMISSION

**STD**  
Nissan Diesel, MLS63B  
Manual, 6 forward  
speeds & 1 reverse  
synchronesh on 2nd  
through 6th gears

**OPTION**  
Allison, 1000RDS  
Automatic  
5 forward  
speeds & 1  
reverse

### Ratios

1st	-----6.72	-----3.10
2nd	-----4.03	-----1.81
3rd	-----2.30	-----1.41
4th	-----1.44	-----1.00
5th	-----1.00	-----0.71
6th	-----0.74	-----
Rev.	-----6.12	-----4.50
R/A Ratio	-----3.73 --3.90 <sub>STD</sub> --4.11	---3.73 ---3.90 <sub>STD</sub> 4.11
Engine rpm @ 65 mph		
w/215/75R17.5	--2,050 -2,145----	2,265 - 1,975* - 2,065* 2,175*

\*Approximate engine rpm only. Allison will provide a performance scan by application on request.

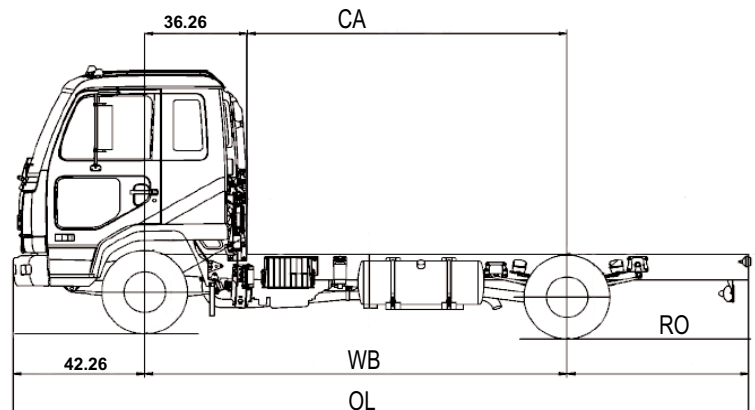
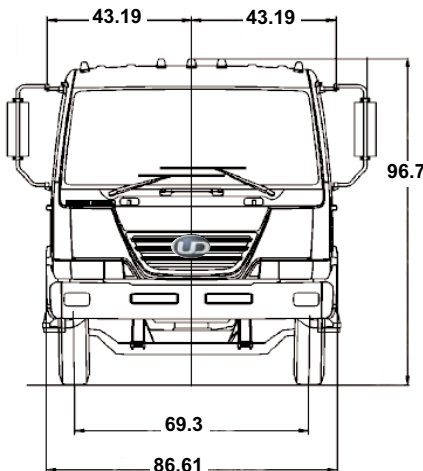
## CLUTCH

Hydraulic clutch with air assist  
13.8 in. cerametallic friction material  
Standard clutch wear indicator

## STEERING

Steering Column

Integral power steering, gear driven pump  
Tilt & telescopic type



# UD1800HD

2008 MODEL YEAR

## REAR AXLE

GAWR	13,000 lb.
Rated Axle Capacity	16,540 lb.
Axle Type	Full-floating banjo housing
Suspension Type	Semi-elliptic leaf springs with auxiliary springs

## WHEELS & TIRES

Tires	Front: Single, highway tread Rear: Dual, highway tread 215/75R17.5 - 14PR (tubeless radial)
Wheels	Steel disc type, 6 hole, 6.00 x 17.5 in., offset 5.3 in.

## BRAKE SYSTEM

Service Brakes	Anti-lock Braking System Dual line, air-over-hydraulic brake system
Front	Internal expanding, two leading shoe, self-adjusting drum brakes Drum diameter x lining width x lining thickness: 12.60 x 4.33 x 0.47 in.
Rear	Internal expanding, dual two leading shoe, self-adjusting drum brakes Drum diameter x lining width x lining thickness: 12.60 x 5.31 x 0.47 in.
Air Tanks	Supply: 641 in. <sup>3</sup> Front service: 549 in. <sup>3</sup> Rear service: 641 in. <sup>3</sup> Total: 1,831 in. <sup>3</sup>
Air Dryer	Standard
Parking Brake	Hand brake lever activating drum at rear of transmission

## EXHAUST BRAKE

Electrically controlled, pneumatically activated butterfly valve in exhaust pipe

## CHASSIS FRAME

Ladder type, channel section side rails

Wheelbases	E, F, H, K	N
Dimensions (in.) *	9.21 x 2.76 x 0.28	9.21 x 3.15 x 0.28
Assembled Width (in.)	33.9	33.9
Section Modulus (in. <sup>3</sup> ) **	18.3	20.2
Yield Strength (psi)	51,200	51,200
RBM (in.-lb.)	937,000	1,034,000

\*Height x Flange Width x Thickness \*\*Measured at back-of-cab, specifications based on complete chassis (both rails)

## FUEL TANK

Round fuel tank, mounted to left side  
Capacity - 33 gallons

## CAB

Forward control, steel construction, tilting cab. Cab suspension w/ shock absorbers

Air Conditioner	Standard
Cab Glass	Windshield, tinted laminated, 2,314 in. <sup>2</sup>
Cruise Control	Standard
Door Locks	Driver & passenger, electric control
Door Vent Window	Driver, ventilating type
Driver's Seat	Height & seat back angle adjustable w/air suspension, cloth cover, high back type
Floormat	Standard
Keyless Entry	Standard
Passenger Seat	Seat back angle adjustable. Cloth cover, high back
Seat Belts	Driver & passenger, 3-point ELR type
Rearview Mirrors	West coast type, 6.5 x 11 in. with Convex type, 5.8 x 4.3 in.
Steering Column	Tilt & telescopic type
Sun Visors	Driver & passenger
Windows	Driver & passenger, electric control
Windshield Wipers	Dual, electric-driven, intermittent & 2 speed



# TRUCKS

Distributed by  
**Nissan Diesel America, Inc.**

## ELECTRICAL EQUIPMENT

Back-up lights  
Cigar lighter  
Clearance, identification & position lights  
Day-time running lights  
Halogen headlights, 2 lamps  
Interior and map light  
License light  
Side turn signal lights  
Stop/tail lights  
Turn signal/hazard lights  
Power outlet - 12 volt

## INSTRUMENTS

### Meters & Gauges

Air pressure gauges  
Coolant temperature gauge  
Fuel gauge  
Speedometer, odometer & trip meter  
Tachometer

### Warning & Indicator Lights & Buzzers

ABS warning light  
Alternator low charge warning light  
Automatic Transmission:  
- Check warning light  
- Range inhibited warning light  
- High temperature fluid warning light & buzzer  
Cab lock warning light & buzzer  
Engine control system warning light  
Engine glow plug indicator light  
Exhaust brake indicator light  
External air restriction indicator  
Hazard warning flasher  
High beam indicator light  
Low air pressure warning light & buzzer  
Low brake fluid level warning light & buzzer  
Low coolant level & overheating warning light & buzzer  
Low oil pressure warning light  
Parking brake indicator light  
Sedimentor warning light  
Service brake warning light & buzzer  
Turn signal indicator lights  
Warning lights with burnt-out bulb check function  
Backup alarm  
DPF warning/indicator lights

## OTHER OPTIONS

AM/FM stereo radio with CD  
Block heater  
Center console/third seat  
Rear wheel parking brake  
Heated mirrors  
Rear traction tires

All illustrations, specifications and descriptions in this specification are based on the latest product information available at the time of this publication. The right is reserved to make changes in price, materials, equipment, design, specifications, diagrams and models, and to discontinue models of equipment at any time, without notice and without incurring any obligation whatsoever. For more information on additional options and accessories, contact NISSAN DIESEL AMERICA, INC.

Manufacturer:  
NISSAN DIESEL MOTOR CO., LTD.  
Saitama, Japan

Distributor:  
NISSAN DIESEL AMERICA, INC.  
P.O. Box 152034  
Irving, Texas 75015-2034  
www.udtrucks.com